



## MAI

### Features 1.Terminal box type 2.For absolute pressure

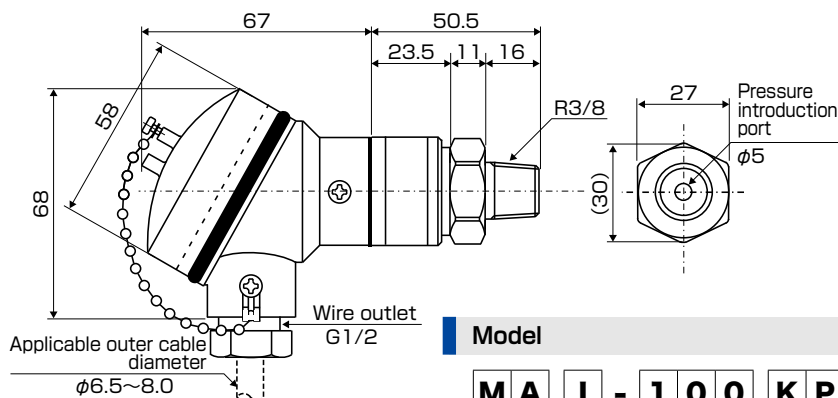
- Terminal box type of the “HA series” absolute pressure sensor
- Outdoor specification / Waterproof IP67 structure
- Capable of high-accuracy vacuum region measurement without being affected by atmospheric fluctuations
- Output signal of 4 to 20 mADC from a built-in amplifier circuit

### Specifications

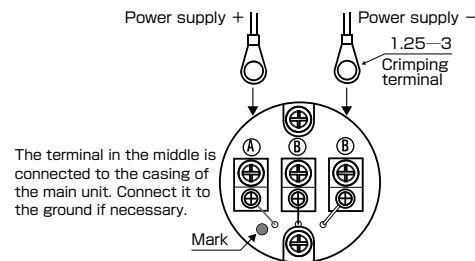
Model	MAI		
	-100KP	-300KP	-600KP
Rated pressure	0 to 100kPa abs	0 to 300kPa abs	0 to 600kPa abs
Pressure type	Absolute pressure		
Overpressure	150% of the rated pressure		
Wetted part material	Diaphragm : SUS316L	Pressure port : SUS316	O-ring : Fluororubber (standard)
Sealing liquid	Silicone oil		
Applicable media	Gas and fluid (media not damaging the wetted part material)		
Power supply	12 to 28VDC		
Output	4 to 20mADC		
Load resistance	600 Ω or less (at power of 24 VDC)		
Responsiveness	5msec or less		
Accuracy (linearity)	± 0.5% F.S. or less * 1 (± 0.3% F.S. or less)		
Temperature characteristics	± 0.05% F.S. / °C or less (0 to 60°C)		
Compensated temperature range	0 to 60°C		
Operating temperature range	- 10 to 80°C (no freezing allowed)		
Operating humidity range	35 to 85% RH (no dew condensation allowed)		
Pressure connection port	R3/8 (standard) · G3/8 · R1/4		
Terminal box	Material : Aluminum die casting		
Wire outlet	G1/2	Applicable outer cable diameter : φ 6.5 to 8.0	
Structure	IP67		
Insulation resistance	100M Ω or more / 500VDC		
Withstand voltage	500VAC, 1 minute		
Vibration resistance	98.1m / s <sup>2</sup> , 2 hours (X, Y, and Z directions)		
Weight	Approx 320g		
Impact of mounting orientation (port orientation changed from downward to sideways)	+ 0.3% F.S.	+ 0.1% F.S.	

\* 1. We also manufacture high-accuracy pressure sensors (accuracy: ± 0.25% F.S. or less).

### Dimensions (Units : mm)



### Internal terminal block / wires



### Model

**MAI - 100 KP - V - R3**

Type	Pressure range	Unit of pressure	O-ring	Pressure connection port
<b>I</b> : Current	<b>100</b> : kPa	<b>KP</b> : kPa	<b>V</b> : Fluororubber	<b>Space</b> : R1/4
			<b>N</b> : NBR	<b>R3</b> : R3/8 (standard)
			<b>X</b> : Other	<b>G3</b> : G3/8