



MZTI

Features 1.Terminal box type 2.Titanium

- Titanium gauge pressure sensor
- Terminal box type of the "ZT series" gauge pressure sensor
- Outdoor specification / Waterproof IP67 structure
- Support of a wide range of media such as seawater, brackish water, and water
- Output signal of 4 to 20 mADC from a built-in amplifier circuit



Specifications

Model	MZTI						
	N-100KP	-020KP	-050KP	-100KP	-300KP	-500KP	-001MP
Rated pressure ※ 1	0 to -100kPa	0 to 20kPa	0 to 50kPa	0 to 100kPa	0 to 300kPa	0 to 500kPa	0 to 1MPa
Pressure type	Gauge pressure ※ 2 ※ 3						
Overpressure	150% of the rated pressure						
Wetted part material	Diaphragm : Titanium		Pressure port : Titanium		O-ring : Fluororubber (standard)		
Sealing liquid	Silicone oil						
Applicable media	Gas and fluid (media not damaging the wetted part material)						
Power supply	12 to 28VDC						
Output	4 to 20mADC						
Load resistance	600 Ω or less (at power of 24 VDC)						
Responsiveness	5msec or less						
Accuracy (linearity)	± 0.5% F.S. or less ※ 4 (± 0.3% F.S. or less)						
Temperature characteristics	± 0.05% F.S. / °C or less (0 to 60°C)						
Compensated temperature range	0 to 60°C						
Operating temperature range	- 10 to 80°C (no freezing allowed)						
Operating humidity range	35 to 85% RH (no dew condensation allowed)						
Pressure connection port	R1/4						
Terminal box	Material : Aluminum die casting						
Wire outlet	G1/2		Applicable outer cable diameter : φ 6.5 to 8.0				
Structure	IP67						
Insulation resistance	100M Ω or more / 500VDC						
Withstand voltage	500VAC, 1 minute						
Vibration resistance	98.1m / s ² , 2 hours (X, Y, and Z directions)						
Weight	Approx 290g						
Impact of mounting orientation (port orientation changed from downward to sideways)	+ 0.1% F.S.	+ 0.5% F.S.	+ 0.3% F.S.	+ 0.1% F.S.			

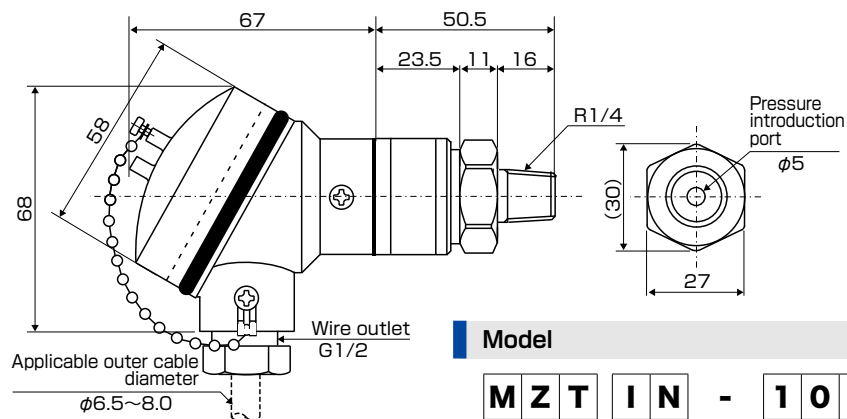
※ 1.We also manufacture compound pressure sensors (gauge pressure of 500 kPa or less).

※ 2.Make sure that the operating vacuum pressure is 10 kPa abs or more. (Operating temperature range: 0 - 60°C)

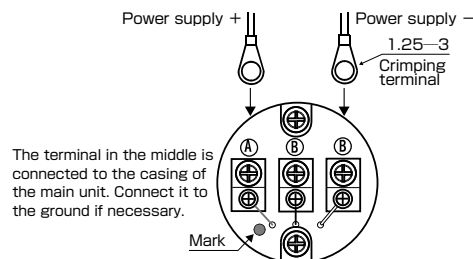
※ 3.Use a wiring cable for atmospheric pressure correction.

※ 4.We also manufacture high-accuracy pressure sensors (accuracy: ± 0.25% F.S. or less).

Dimensions (Units : mm)



Internal terminal block / wires



Model

M Z T I N - 1 0 0 K P - V

Type Output mode Special Pressure range Unit of pressure O-ring

I : Current Space : Positive pressure KP : kPa V : Fluororubber

N : Negative pressure MP : MPa N : NBR

C : Compound pressure X : Other